

Oyster HOME

BabyStyle[®]

BabyStyle UK Ltd.
36 Charles Street, Sileby,
Leicestershire LE12 7RJ

United Kingdom

T: 01509 816444
E: info@babystyle.co.uk
babystyle.co.uk

©BabyStyle UK Ltd. AW142325052023



**SWINGING CRIB
INSTRUCTION MANUAL**

IMPORTANT! READ CAREFULLY AND KEEP FOR FUTURE REFERENCE.

- Your child's safety may be affected if you do not follow these instructions.
- Use only spare parts delivered by manufacturer for replacing parts or repairs.
- Damage caused by overloading or incorrect folding are not covered by the warranty.
- Prolonged exposure to sunshine may cause changes in the colour of materials and fabrics.
- Do not expose this product to extreme temperatures. Extreme sunshine or temperatures may cause colour changes or bent parts.

WARNING:

- Do not use this product without reading the instructions first.
- Stop using the product in the highest position as soon as the child can sit, kneel or pull themselves up.
- Never leave the child unattended.
- Do not move the swinging crib with the baby inside.
- Never use the swinging crib on an elevated surface e.g. table, counter, near steps or on other elevated surface.
- Always use the swining crib on the floor.
- Placing additional products in the swining crib may cause suffocation.
- Do not place the swinging crib close to another product, which could present a danger of suffocation or strangulation e.g. strings, blind/curtain chords etc.
- Do not use more than one mattress in the crib.
- The crib should be locked in the fixed position when the child is left unattended.
- All assembly fittings should be tightened properly, care should be taken that no screws or parts are loose.
- Only use mattress sold with this crib.

- When using the swinging crib base in the lower position, ensure there are no objects in the crib that could serve as steps for climbing out.
- Stop using the product in the lower base position when child is able to climb out, or reaches the height of 89cm, or has reached 12 months old, or weighs more than 13.6kg, whichever comes first.
- The lower base position is not intended for sleeping.
- Never leave the child in the crib with the side lowered. The side should be raised and locked in position.
- Always supervise your child whilst in the swinging crib.
- Never place extra padding under the mattress provided by the manufacturer.
- Never add a pillow, comforter or another mattress for padding.
- To reduce the risk of SIDS, pediatricians recommend healthy infants be placed on their back to sleep, unless otherwise advised by your physician.
- Be aware of the risk of open fire and other sources of strong heat, such as electric bar fires, gas fires etc. in the near vicinity of the crib.
- Young children should not be allowed to play unsupervised in the vicinity of this product.
- Always ensure the crib is properly and completely unfolded prior to use.

IMPORTANT:

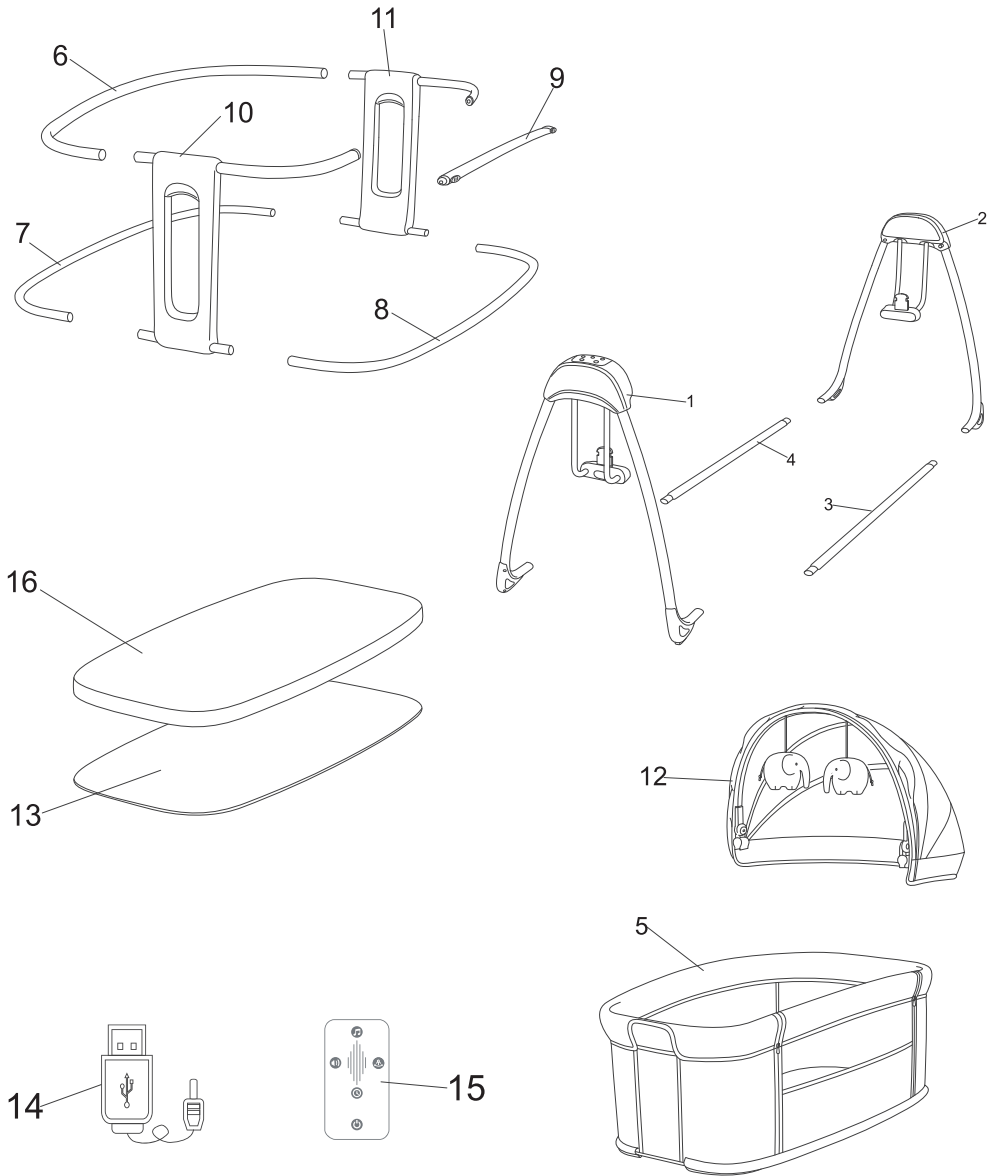
- Adult assembly required.
- Care should be taken in unpacking and assembly.
- Examine crib frequently for damage, missing or loose parts.
- Do not use if any parts are missing or damaged.
- If parts are missing or broken, please contact the store where you bought the product, before using.
- Note: The fabric patterns, images and accessories on this product in this instruction manual may vary from the product you have purchased.

WARNING:

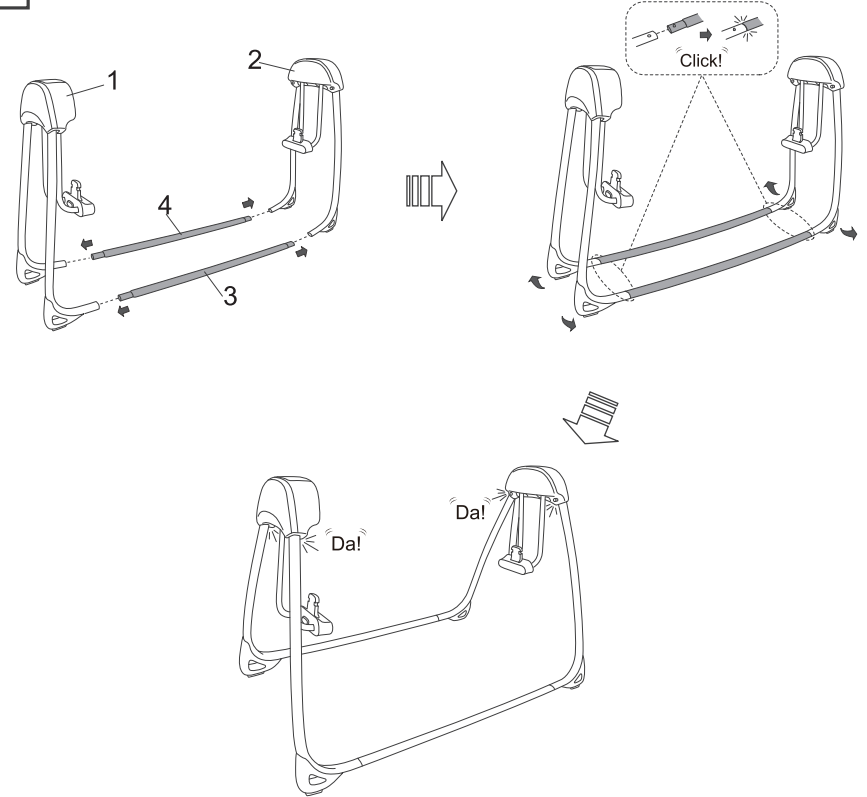
Please keep all packaging material away from baby's and children, to prevent suffocation.

Manufactured and tested in compliance with EN1130:2019+AC:20 & EN 16890:2017+A1:2021

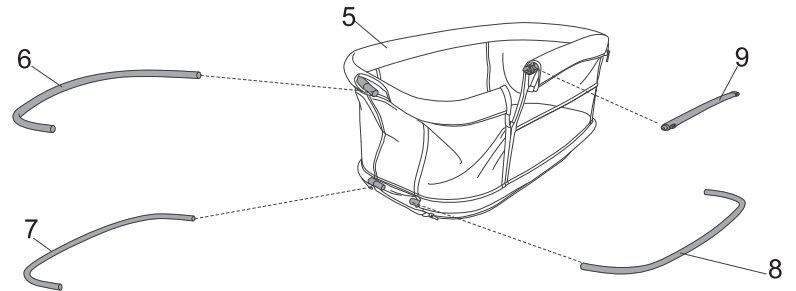
Make sure all parts are available before assembly. If any parts are missing, please contact your retailer.



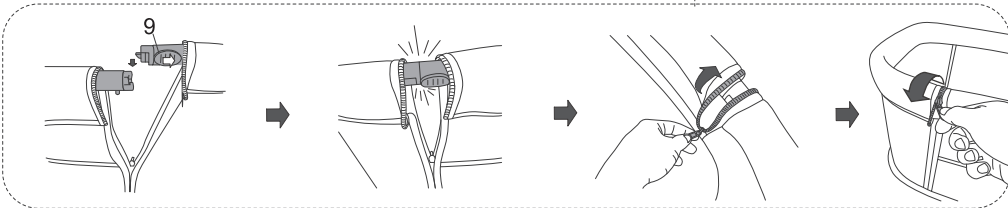
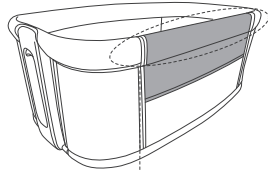
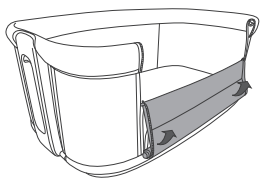
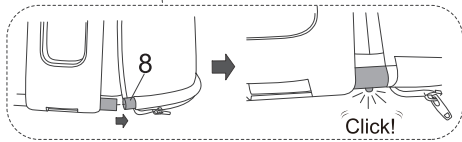
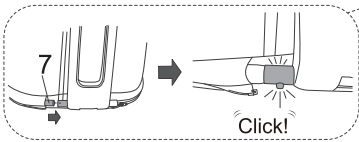
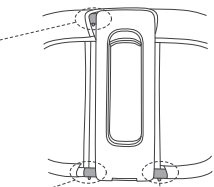
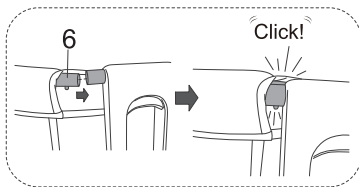
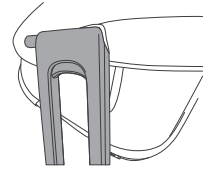
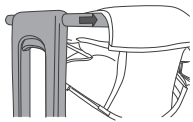
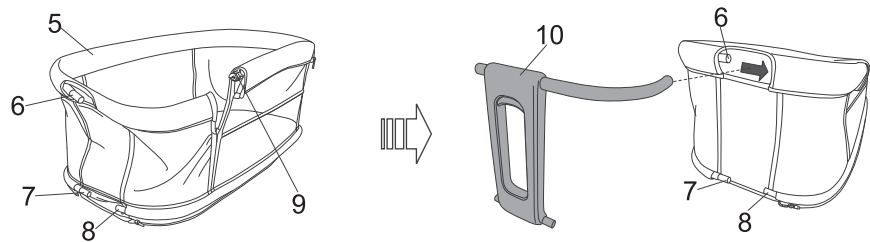
1



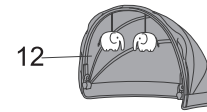
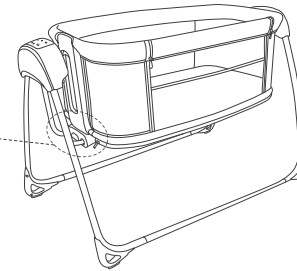
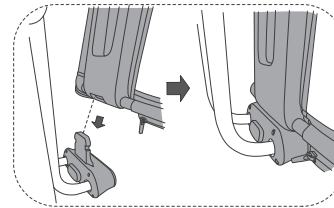
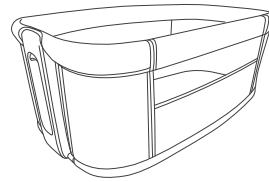
2



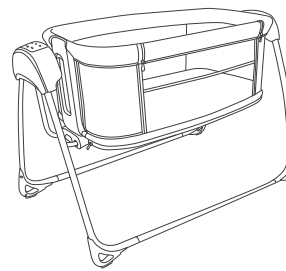
3



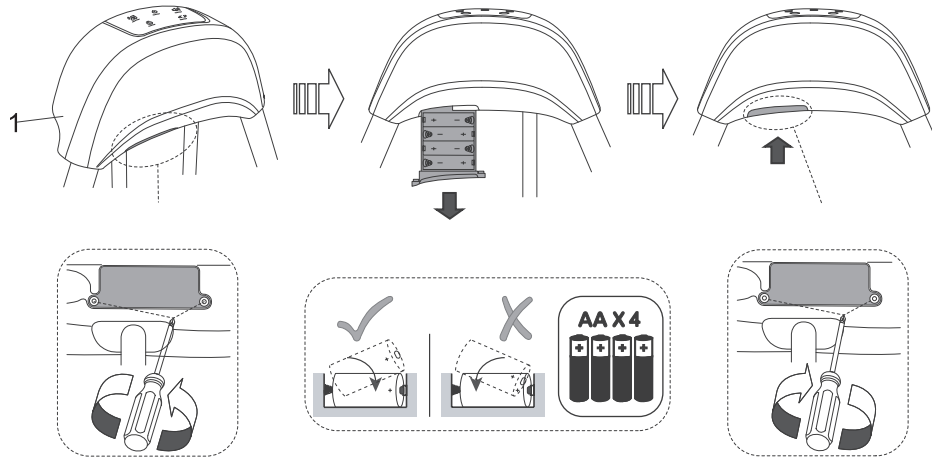
4



12



BATTERY INFORMATION



The music and swinging unit required (4) size AA/LR6 (1.5V) alkaline batteries (not included).

CAUTION:

Follow the battery guidelines in this section. Otherwise, battery life may be shortened or the batteries may leak or rupture.

- Always keep batteries away from children.
- Do not mix old and new batteries.
- Do not mix alkaline, standard or rechargeable batteries.
- Only batteries of the same or equivalent type as recommended are to be used.
- Install the batteries so that the polarity of each one matches the markings in the battery compartment.
- Do not short-circuit batteries.
- Do not store batteries in areas that have extreme temperatures (such as attics, garages, or automobiles.)
- Remove exhausted batteries from the battery compartment.
- Never attempt to recharge a battery unless it is specifically marked as “rechargeable”.
- Rechargeable batteries are to be removed from the box before being charged.
- Rechargeable batteries are only to be charged under adult supervision.
- Do not use rechargeable alkaline batteries in Ni-Cad or Ni-MH battery charger.
- Please use the correct disposal method for batteries.
- Remove batteries before putting product into storage for a prolonged period of time.

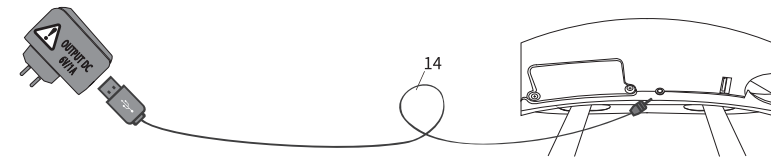
- Weak batteries cause erratic product operation, including distorted sound, dimming or failed lights, and slow or non-working motorised parts, because each electrical component requires a different operating voltage, replace the batteries when any function fails to operate.
- Do not dispose of product or batteries in fire, batteries may explode or leak.
- This symbol indicates that the product is not to be disposed of in household.



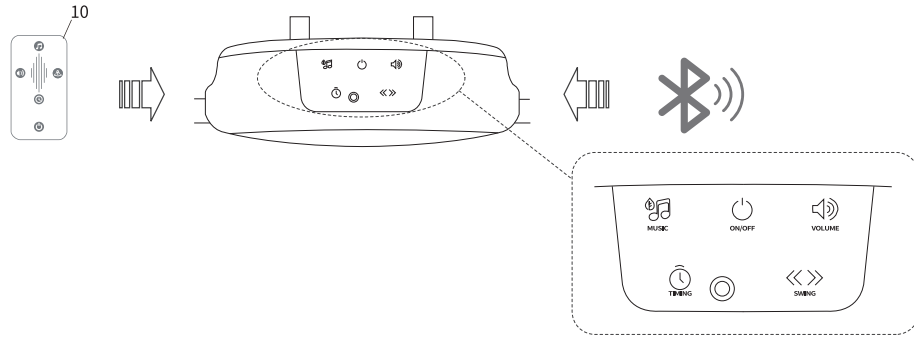
Waste as batteries contain substances that can be damaging for the environment and health. Contact local authority for recycling and collection information.

USING AN ADAPTOR

- ⚠ Suitable for most mobile phone adaptors. Adaptor not included. Output DC: 6V/1A. Batteries are not required when using an adaptor.

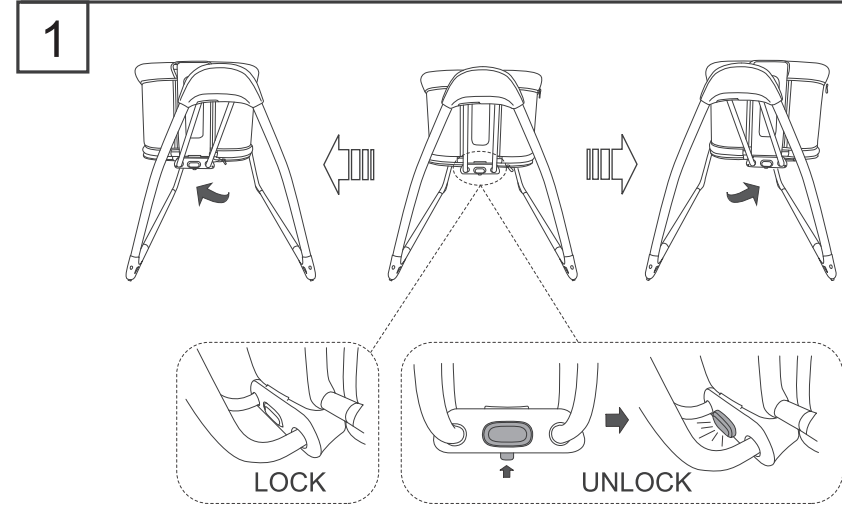


USING THE SWING CONTROL MODULE

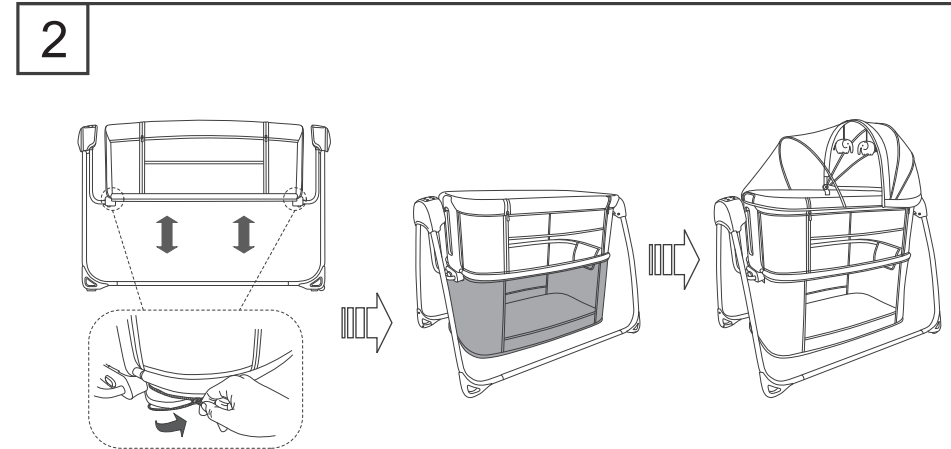


- ⏻ Touch the power switch to power the control module.
- ⏪ Side-to-side movement function, 5 speeds with LED light
- 🎵 Touch the music button to begin music. All 7 songs will play in turn, or touch as needed to select desired song.
- 🔊 Touch the volume control switch as needed to turn off or adjust the volume for music.
- 🕒 Press to sequence the desired timer setting of 15, 30 or 45 minutes. If you do not select a timer setting, the sway and/or music function uses a default time of 60 minutes for auto-shut off.
- 📀 Insert the USB disk into the USB connector, music from USB will be set to auto-start, the music function that comes with the product cannot be used. Other functions work properly.
- 📶 Bluetooth device “swing”, smartphone connectivity and indicator lights up, the music function that comes with the product & USB cannot be used. If you do not select a timer setting, Bluetooth uses a default time of 60 minutes for auto-shut off.

USING SWING FUNCTION



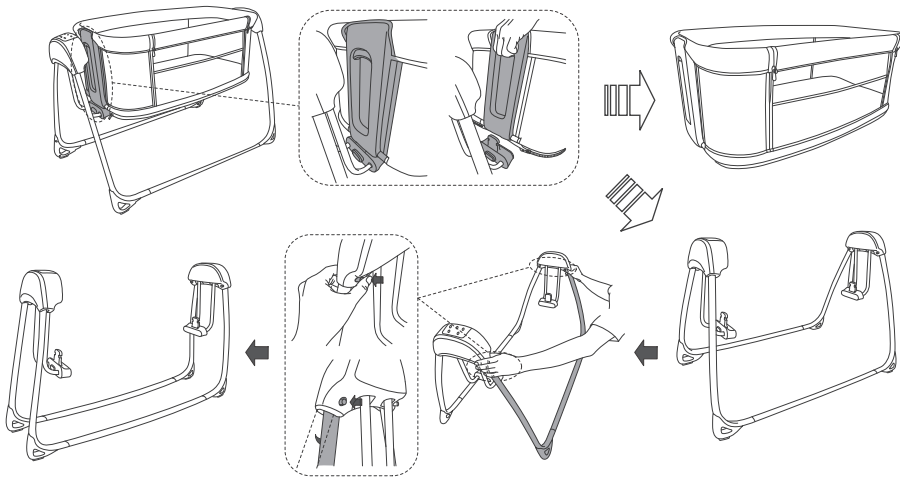
CONVERT BASE TO LOWER POSITION



- When using the swinging crib base in the lower position, ensure there are no objects in the crib that could serve as steps for climbing out.
- Stop using the crib in the lower base position when child is able to climb out, or reaches the height of 89cm, or has reached 12 months old, or weighs more than 13.6kg, whichever comes first.
- The lower base position is not intended for sleeping.

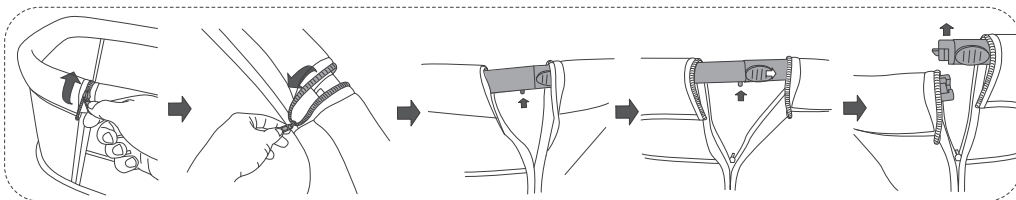
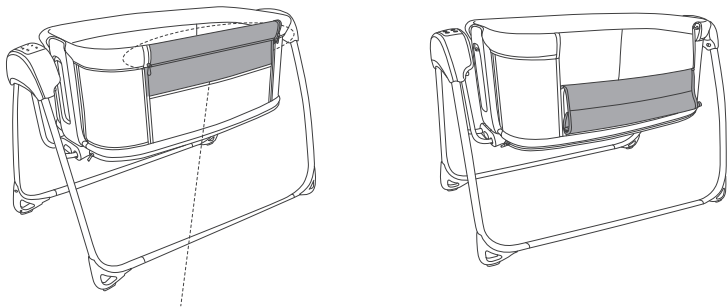
FOLD UP FRAME

3



DROP-DOWN SIDE WALL

4



- Never leave infant in the crib with the side down, always check the crib is secure.

CARE & MAINTENANCE

Handwash soft insert and seat cover.

Clean base and seat frame with a damp cloth and mild detergent, and dry thoroughly.

To prolong the life of your nursery product, keep it clean and do not leave in the direct sunlight for extended periods of time.

Do not use abrasive cleaners. Do not soak in water.

Always store your product in a clean dry place.

Do not leave in the boot of car.

Avoid exposure to salt water, as this may encourage the formation of rust. If product is used in this environment completely clean your product afterward to remove sand and salt from mechanisms.

Should parts become stiff, squeak or difficult to operate ensure dirt is not the cause.

When storing product, never stack other items on top of it, this may damage the crib.

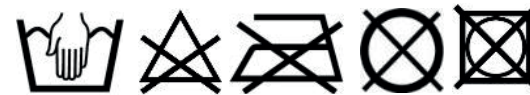
Do not dry clean or use bleach.

In some climates the parts may be affected by mould and mildew. To help prevent this occurring, do not fold or store the product if it is damp or wet.

Always store the product in a well ventilated area.

Always check parts regularly for tightness of screws, nuts and other fasteners, tighten if required. To maintain the safety of your nursery product, seek prompt repairs for bent, torn, worn or broken parts.

Use only parts and accessories approved by the supplier.



WARRANTY POLICY

KEEP YOUR ORIGINAL RECEIPT OF PURCHASE SAFE WITH YOUR WARRANTY INFORMATION

It will be required should you unfortunately find a defect. The receipt must show the date of purchase clearly. In the first instance you must contact the original place of purchase. Exchanging or returning the product cannot be requested. Repairs to any part of this product do not extend the warranty period. Do not return your product direct to the manufacturer.

DISCLAIMER

Whilst we believe the information set out in this instruction manual to be correct and reliable at the time of print, we do not accept responsibility for its accuracy and we shall not be liable for its interpretation and its use. We reserve the right to change, modify, add or delete product specifications at any time without prior notice.

YOUR WARRANTY POLICY

At BabyStyle, we guarantee your product has been manufactured in accordance with all current European safety standards which are applicable to this product, and that this product is free from any defects in workmanship and material at the time of purchase. During the production process this product has gone through rigorous quality checks. Despite our efforts, if this product does show a manufacturing or material defect within the 24 months warranty period for the frame and 6 months for the fabrics we will comply to the warranty terms and conditions providing the product has been used for normal use as described within the instruction manual and it has been maintained correctly as described in the instruction manual, for further information please contact the place of purchase. Please retain your original receipt of purchase safely.

WARRANTY TERMS

- Crib frame: 24 consecutive months.
- Fabrics: 6 consecutive months.
- The warranty only applies to the original purchaser and is non-transferable.

The warranty will be invalidated in the following circumstances:

- The product has not been used for its purpose other than described within the instruction manual.
- If the product is returned for repair through a dealer not authorised by us.
- If the original receipt of purchase cannot be provided.
- If the defect is as a result of improper use or incorrect maintenance, negligence or impact damage.
- If the parts show normal wear and tear that may be expected from daily use of the product.
- The warranty of this product becomes valid from the date of purchase as stated on the original receipt of purchase. This does not affect your statutory rights.

Register your product today at babystyledirect.co.uk.

We are proudly part of the



b-p-a.org

