

## IMPORTANT! READ AND FOLLOW THESE INSTRUCTIONS CAREFULLY AND KEEP FOR FUTURE REFERENCE

Complies with Standards: EN 1930:2011

### WARNING

**IMPORTANT:** Please read these instructions carefully and keep for future reference.

Before assembling your product:

Read through the instructions.

Do not discard any packaging until you are certain you have all of the correct components and fittings.

If any items are damaged or missing, please contact Tee-Zed Products.

Never climb over the gate.

Never allow young children to climb over or swing on the gate.

This safety barrier is for indoor, domestic use only.

Check the gate fittings regularly to ensure they remain securely fixed and that the gate remains fully operational.

This safety gate will not necessarily prevent all accidents. Never leave children unattended.

To prevent serious injury or death, securely install gate and use according to manufacturer's instructions.

Manual closure system.

This gate is designed for children from 0 to 24 months.

Fits door openings and top and bottom of the stairs.

Always install with mounting cups with screws when gate is used at top of stairs.

**WARNING:** Never use the gate without wall fittings.

**WARNING:** Incorrect fitting or positioning of this safety barrier can be dangerous.

**WARNING:** Do not use the safety barrier if any components are damaged or missing. To be fitted in a rigid, stable and clean location.

**WARNING:** The safety barrier must not be fitted across windows.

**WARNING:** Stop using the barrier if the child is capable of climbing it.

**WARNING:** This package contains small parts and sharp points in an unassembled state. Keep out of reach of children. Adult assembly required.

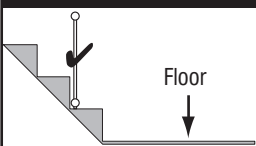
### LOCATION

If you intend to use this gate to prevent a child from going upstairs, it must be fitted on the very bottom stair. If you wish to use this gate to prevent a child from going downstairs, it must be fitted on the very top stair.

Ensure that the wall surface, door frame or stair post to which you are fitting the gate is structurally sound, firm, rigid and free from dirt and grease.

When fitted correctly between two clean, structurally sound surfaces, this gate conforms to the standard EN 1930:2011. Make sure to use the appropriate fixings depending on the surface available: wood screws for wooden surfaces, multi-use dowel and concrete screws for concrete surfaces, multi-use dowel and cement screws for cement surfaces, metal screws for metal surfaces.

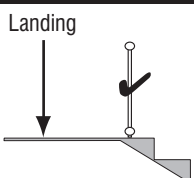
#### Bottom of stairs



**WARNING!** The use of mounting cups is recommended at all times.

If the gate is used at the bottom of the stairs to prevent the child from climbing up the stairs, it must be placed on the lowest stair.

#### Top of stairs

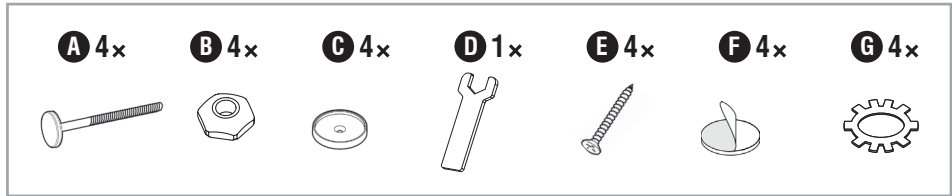


**WARNING!** The use of mounting cups is recommended at all times.

Always install with mounting cups with screws when gate is used at top of stairs.

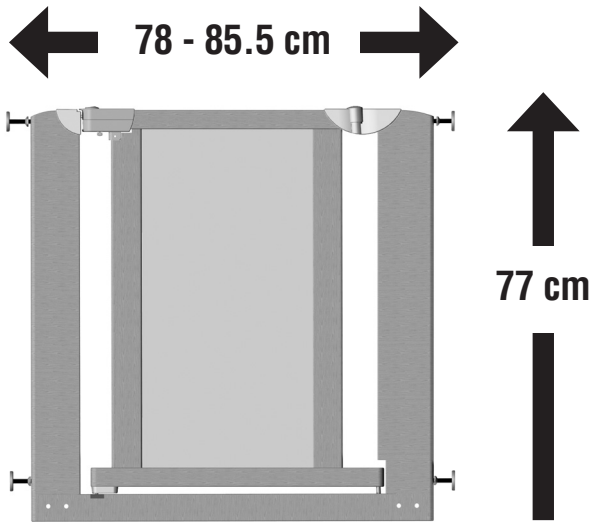
If the gate is to be used at the top of the stairs to prevent the child from falling down the stairs, it must not be placed on any stair below the level of the top stair.

# Frontier



This gate is suitable for openings between 78cm and 85.5cm wide.

PLEASE NOTE: The vertical elements of the frame will not be at a 90° angle before the gate is correctly installed and under pressure.

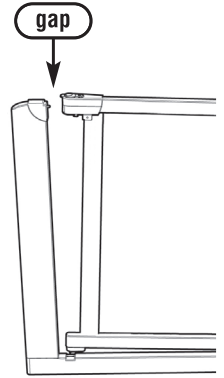


## IMPORTANT NOTICE to Customers

**The gap in this gate is NOT a fault.**

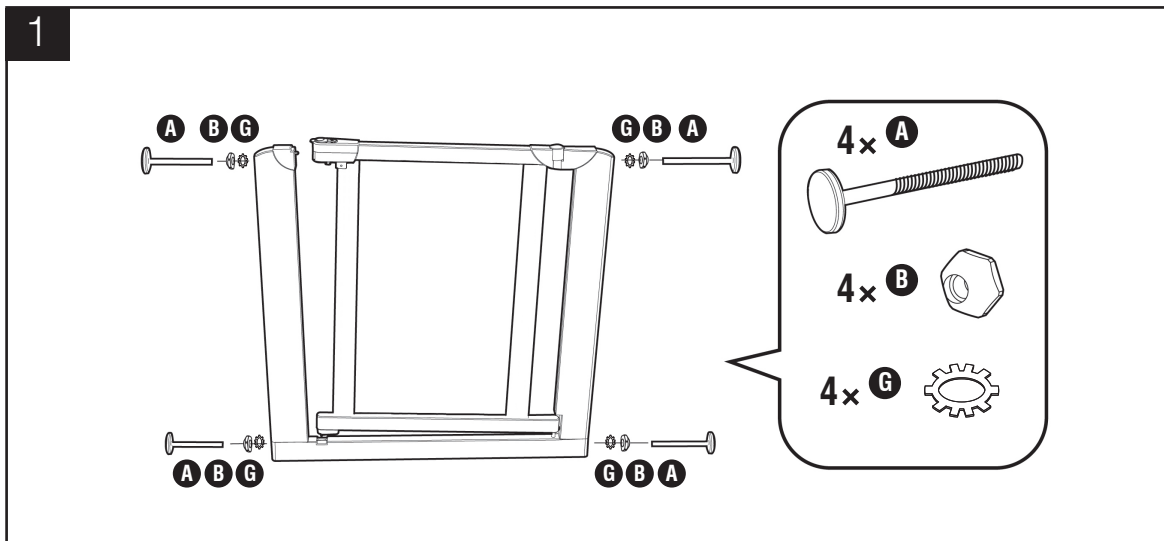
The gap will disappear when the gate is correctly installed.

Refer to enclosed instructions for correct installation procedures.



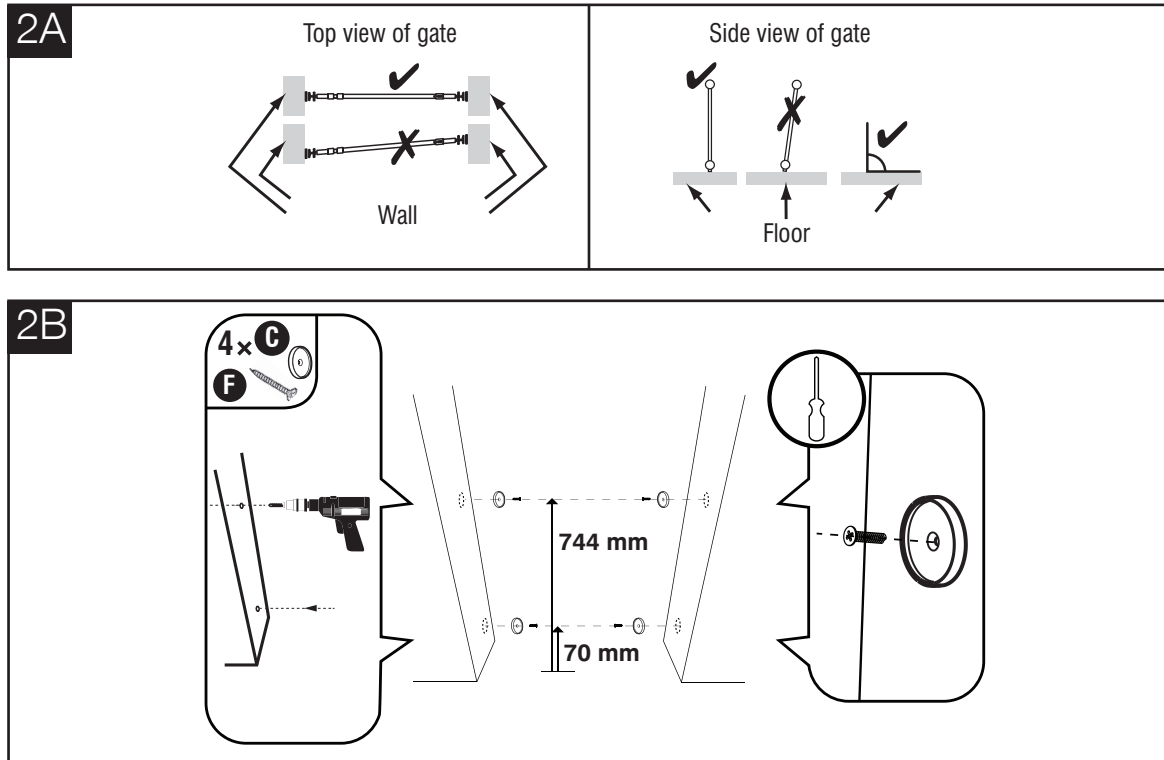
### Step 1

Insert the screw adjusters **(A)** with nuts **(B)** and washers **(G)** into the holes in the four corners of the gate.



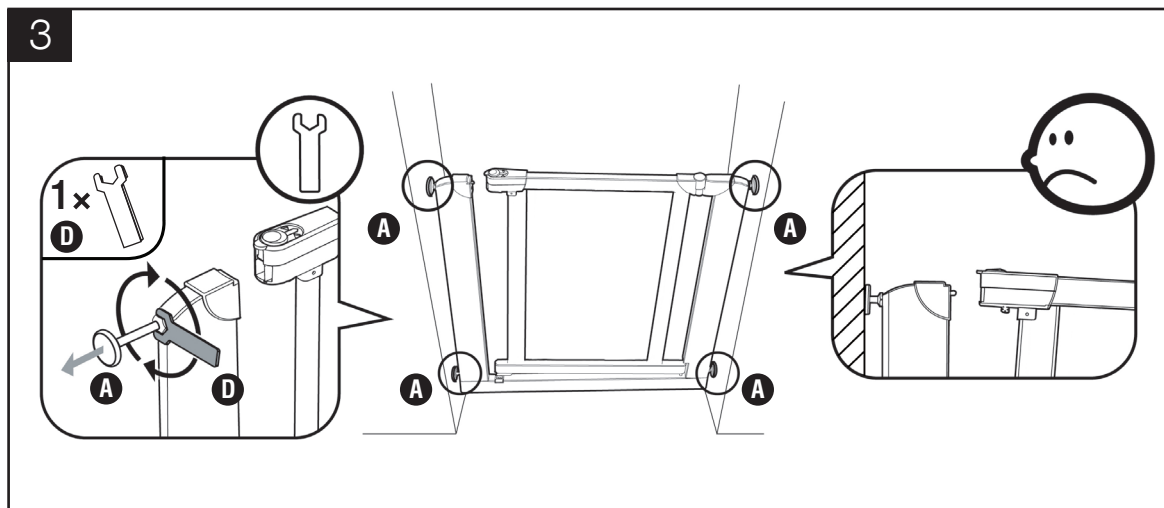
## Step 2

Place the gate perpendicular to the door opening and the floor **(2A)**. **(2B)** Mark the positions for the mounting cups **(C)** on both wall surfaces. The holes for the lower mounting cups should be 70mm above the floor while the holes for the upper mounting cups should be 744mm above the floor. Install the mounting cups **(C)** using the appropriate fixings depending on the surface available (double-sided adhesive pads or screw with plugs): wood screws for wooden surfaces, multi-use dowel and concrete screws for concrete surfaces, multi-use dowel and cement screws for cement surfaces, metal screws for metal surfaces. Double-sided adhesive pads **(F)** and wood screws **(E)** are provided.



## Step 3

Place the gate into position. If the latch is not aligned correctly, adjust the screw adjusters **(A)** until the latch closes securely. Ensure that the screw adjusters **(A)** are extended the same distance on both sides of the gate. Tighten the nuts **(B)** using the spanner **(D)**.

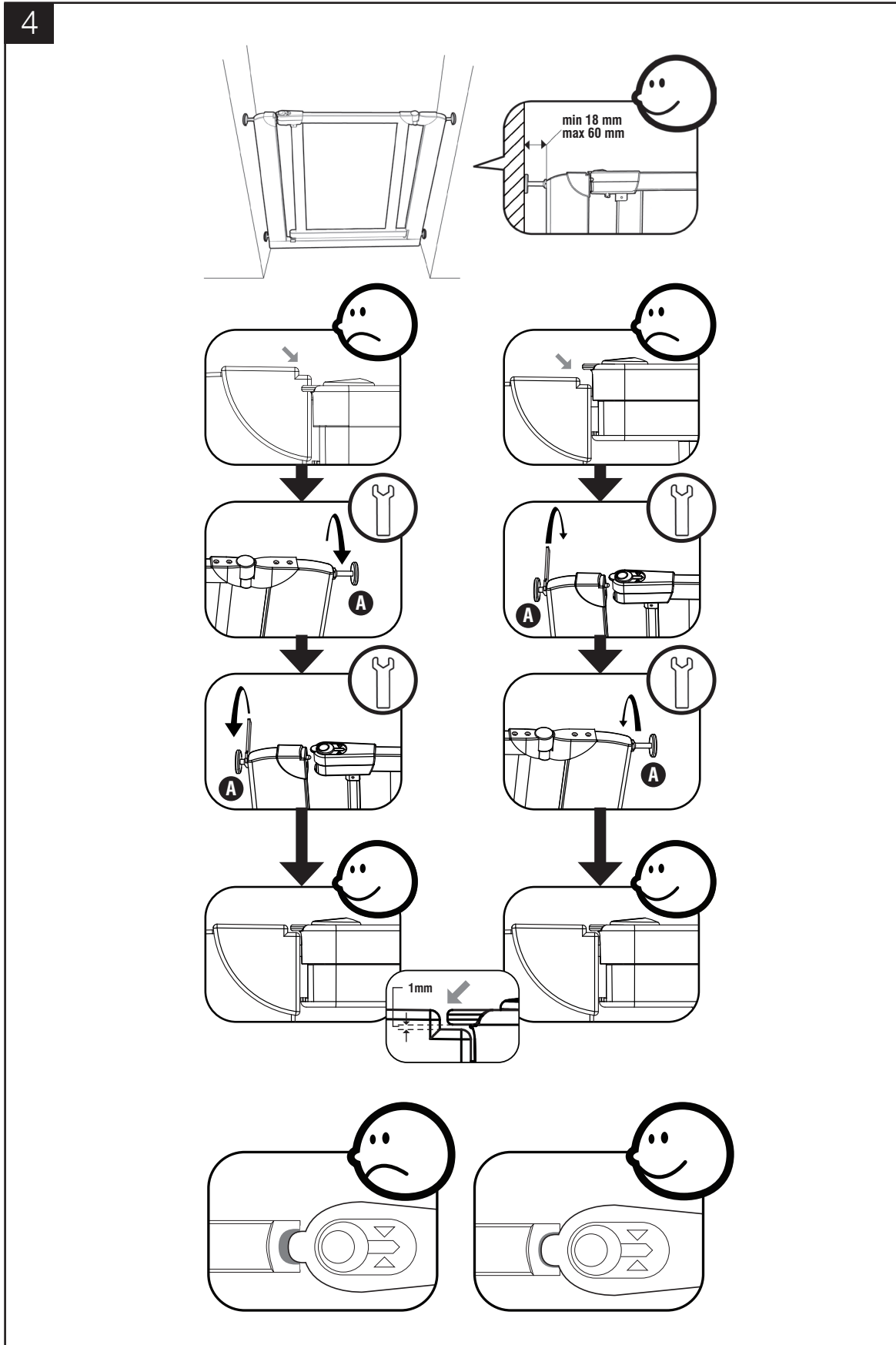


## Step 4

The distance between the wall surface and the gate should be no less than 18mm and no more than 60mm on both sides.

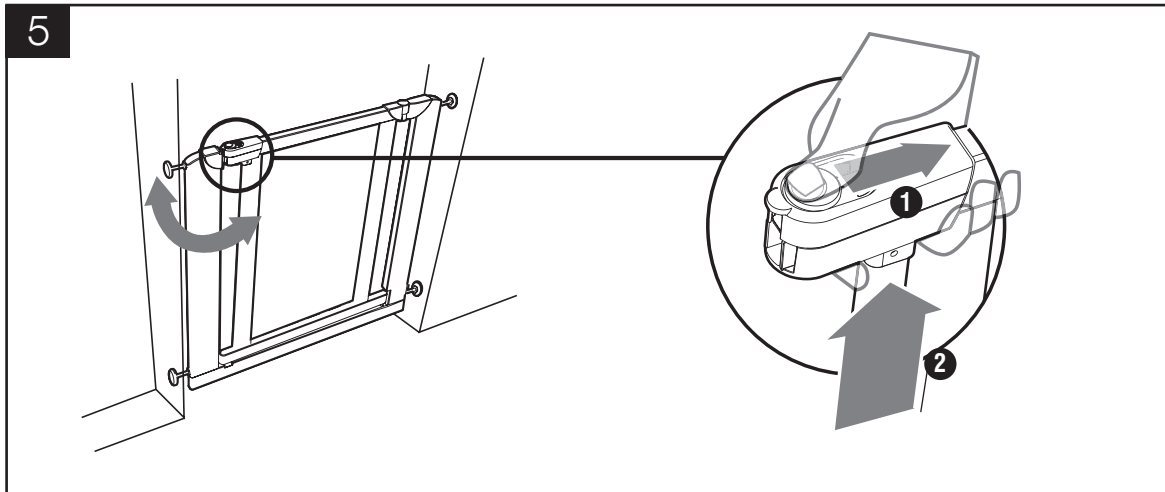
If the gate is too high for the latch, the screw adjuster **(A)** next to the latch should be screwed further into the frame, while the screw adjuster **(A)** on the opposite side of the frame should be unscrewed from the frame.

If the gate is too low for the latch, the screw adjuster **(A)** next to the latch should be unscrewed from the frame and the screw adjuster **(A)** on the opposite side of the frame should be screwed further into the frame.



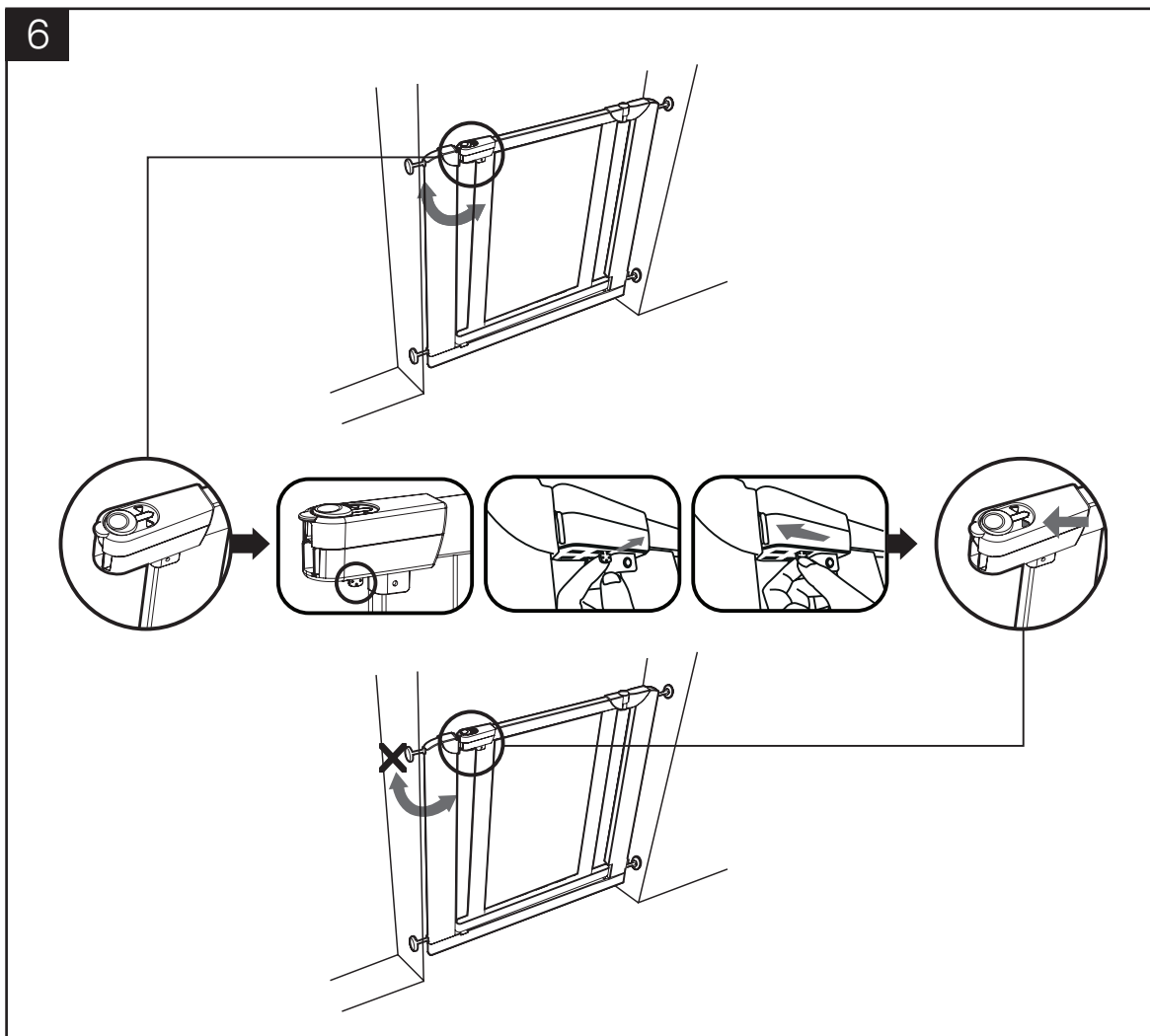
## Step 5

To open the gate, slide the latch away from the wall **(1)** and lift the gate **(2)**. The gate should open both ways. The arrows on the top of the latch indicate the direction in which the gate can be opened. Two green arrows indicate that the gate can be opened in either direction



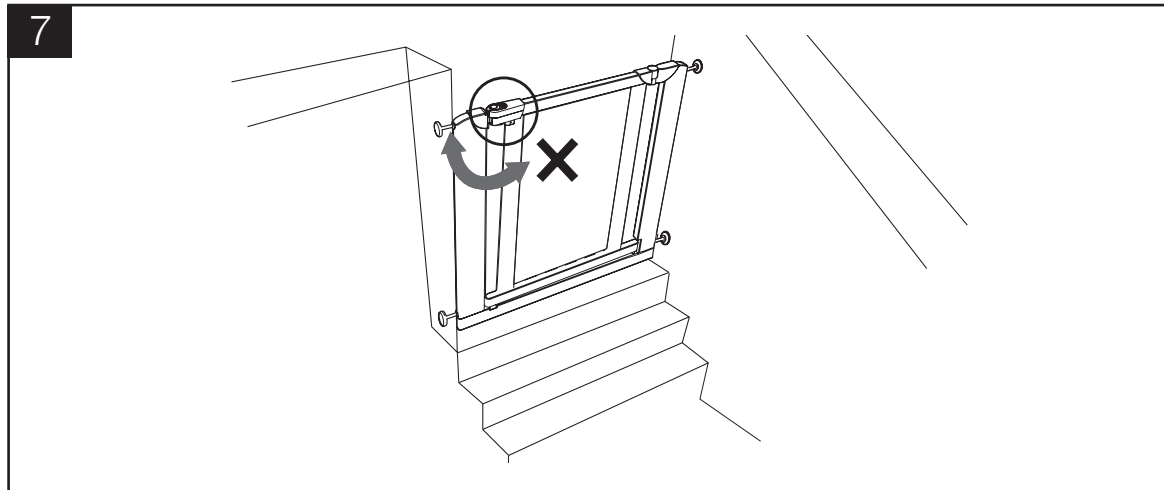
## Step 6

To block the opening direction of the gate switch the small lever (located on the underside of the the latch mechanism) towards the wall on the side you wish to block. To lock the gate, switch both switches towards the wall. Two orange arrows indicate the gate is locked.



## Step 7

If the gate is used at the top of the stairs, it is recommended, that one opening direction is blocked so that the gate swings towards the stair landing.



## USE

Only use original Dreambaby® spare parts for this product.

Periodically check the security of the fixings and the general condition of the parts. Adjust as necessary, referring to these instructions.

Do not hang or tie toys to any part of the gate.

Always keep the gate in a closed and locked position.

This safety gate will not necessarily prevent all accidents. Never leave children unattended.

## CLEANING

No part of the gate requires lubrication.

Clean the gate using warm water and a mild detergent.

Never use solvents, chemicals, scouring powders or sharp tools to clean the gate.

## Dreambaby®

TEE-ZED ACKNOWLEDGES THAT ITS CUSTOMERS MAY BE ENTITLED TO STATUTORY CONSUMER GUARANTEES AND DOES NOT SEEK TO EXCLUDE OR LIMIT THEM. THESE GUARANTEES INCLUDE THAT TEE-ZED'S PRODUCTS ARE OF ACCEPTABLE

QUALITY. THIS TEE-ZED PRODUCT IS FOR THE SPECIFIC PURPOSE DETAILED IN THE INSTRUCTIONS AND PACKAGING AND TEE-ZED CONSIDERS USE OUTSIDE OF THAT PURPOSE TO BE ABNORMAL USE. TO THE MAXIMUM EXTENT PERMITTED BY LAW, TEE-ZED

DOES NOT ACCEPT ANY LIABILITY FOR DAMAGE:

- ARISING FROM ABNORMAL USE OF THE PRODUCTS;
- CAUSED BY INSTALLATION OR REMOVAL OF THE PRODUCTS

OTHER THAN IN ACCORDANCE WITH THE SUPPLIED INSTALLATION AND REMOVAL INSTRUCTIONS; OR

- ARISING UNDER THE LAW OF TORT OR CONTRACT.

Dreambaby® products by

Tee-Zed Products Ltd  
PO Box 29227, Dunfermline  
KY12 2DN, UK  
UK Tel: +44 (0) 1383 749588



Made in Vietnam

©2013 Tee-Zed Products, Ltd

info@tee-zed.co.uk

www.dreambaby.co.uk

www.facebook.com/Dreambabysafety

www.youtube.com/dreambabytv

www.twitter.com/dreambabysafety

