

## METAL WALL MOUNTED EXTENDING GATE

**IMPORTANT! READ AND FOLLOW THESE INSTRUCTIONS CAREFULLY AND KEEP FOR FUTURE REFERENCE**

Complies with Standards: EN 1930:2011

### **WARNING**

**IMPORTANT:** Please read these instructions carefully and keep for future reference.

Before assembling your product:

Read through the instructions.

Do not discard any packaging until you are certain you have all of the correct components and fittings.

If any items are damaged or missing, please contact Tee-Zed Products.

Never climb over the gate.

Never allow young children to climb over or swing on the gate.

This safety barrier is for indoor, domestic use only.

Check the gate fittings regularly to ensure they remain securely fixed and that the gate remains fully operational.

This safety gate will not necessarily prevent all accidents. Never leave children unattended.

To prevent serious injury or death, securely install gate and use according to manufacturer's instructions.

Manual closure system.

This gate is designed for children from 0 to 24 months.

Fits door openings and top and bottom of the stairs.

Always install with mounting cups with screws when gate is used at top of stairs.

**WARNING:** Never use the gate without wall fittings.

**WARNING:** Incorrect fitting or positioning of this safety barrier can be dangerous.

**WARNING:** Do not use the safety barrier if any components are damaged or missing. To be fitted in a rigid, stable and clean location.

**WARNING:** The safety barrier must not be fitted across windows.

**WARNING:** Stop using the barrier if the child is capable of climbing it.

**WARNING:** This package contains small parts and sharp points in an unassembled state. Keep out of reach of children. Adult assembly required.

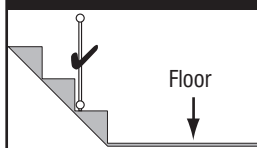
### LOCATION

If you intend to use this gate to prevent a child from going upstairs, it must be fitted on the very bottom stair. If you wish to use this gate to prevent a child from going downstairs, it must be fitted on the very top stair.

Ensure that the wall surface, door frame or stair post to which you are fitting the gate is structurally sound, firm, rigid and free from dirt and grease.

When fitted correctly between two clean, structurally sound surfaces, this gate conforms to the standard EN 1930:2011. Make sure to use the appropriate fixings depending on the surface available: wood screws for wooden surfaces, multi-use dowel and concrete screws for concrete surfaces, multi-use dowel and cement screws for cement surfaces, metal screws for metal surfaces.

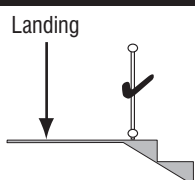
#### Bottom of stairs



**WARNING!** The use of mounting cups is recommended at all times.

If the gate is used at the bottom of the stairs to prevent the child from climbing up the stairs, it must be placed on the lowest stair.

#### Top of stairs

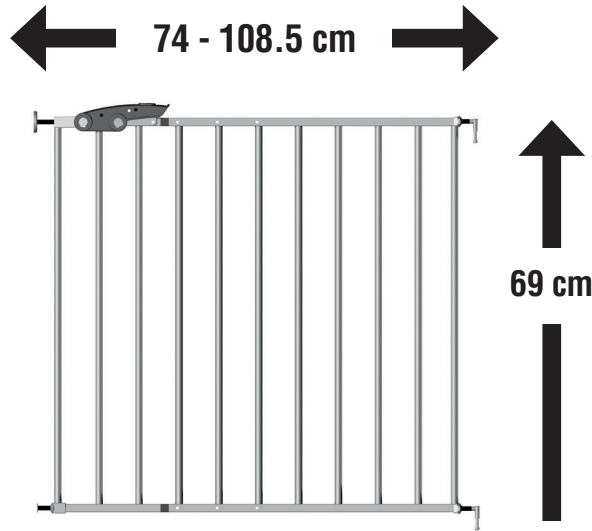
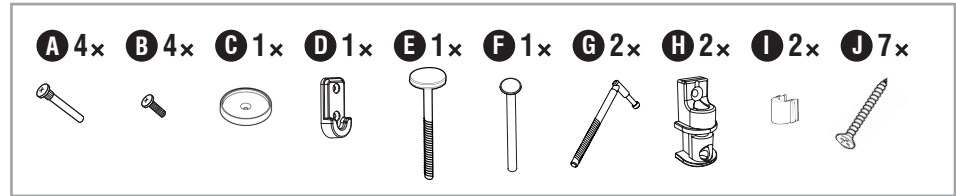


**WARNING!** The use of mounting cups is recommended at all times.

Always install with mounting cups with screws when gate is used at top of stairs.

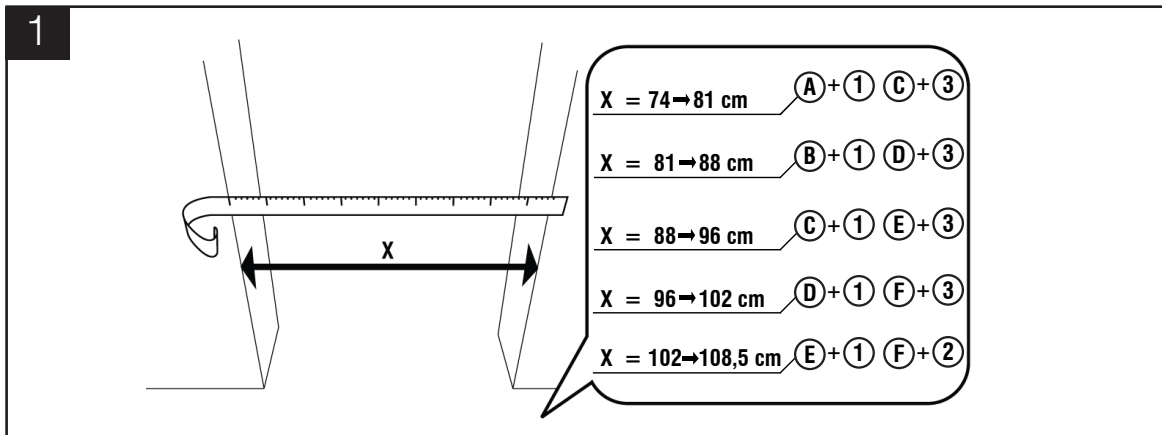
If the gate is to be used at the top of the stairs to prevent the child from falling down the stairs, it must not be placed on any stair below the level of the top stair.

# Apollo Gro-Gate™



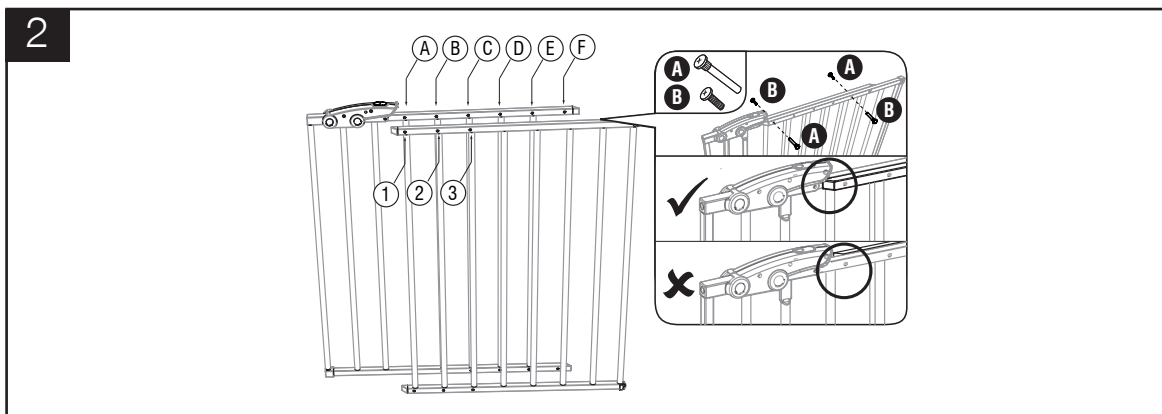
## Step 1

Measure the width of the opening you wish to place the gate in.



## Step 2

Adjust the two gate sections to one of the six positions shown (A-F), according to the size of the opening you intend to fit the gate in. Align the holes on both gate sections. Secure the gate by fastening the screw (B) into the screw (A) as shown in the diagram. Do not attempt to fasten the gate using less than 4 screws. Make sure that the flat surfaces of the two gates are facing each other.

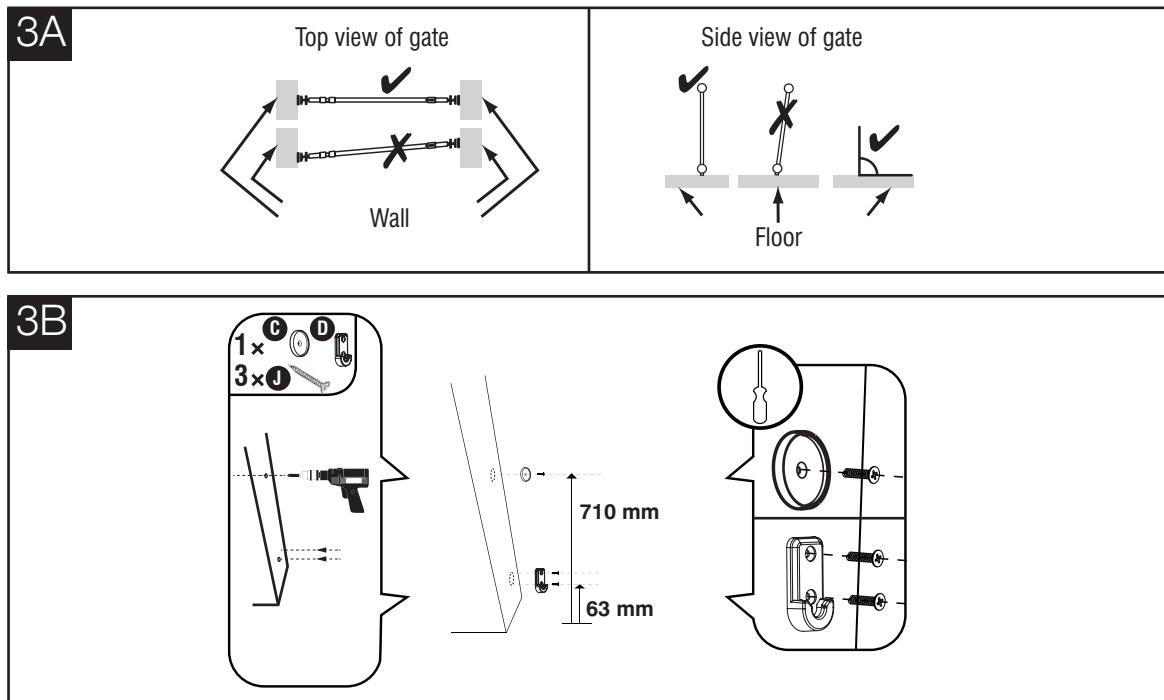


### Step 3

Place the gate perpendicular to the door opening and the floor **(3A)**. **(3B)** Mark the position for the wall fittings **(C)** and **(D)** on the wall surface, opposite where you want the gate to hinge from. The hole for the lower wall fitting should be 63 mm from the floor. The hole for the upper wall fitting should be 710 mm from the floor.

Fix the wall fittings **(C)** and **(D)** using the appropriate fixings depending on the surface available: wood screws for wooden surfaces, multi-use dowel and concrete screws for concrete surfaces, multi-use dowel and cement screws for cement surfaces, metal screws for metal surfaces.

Wood screws **(J)** are provided.

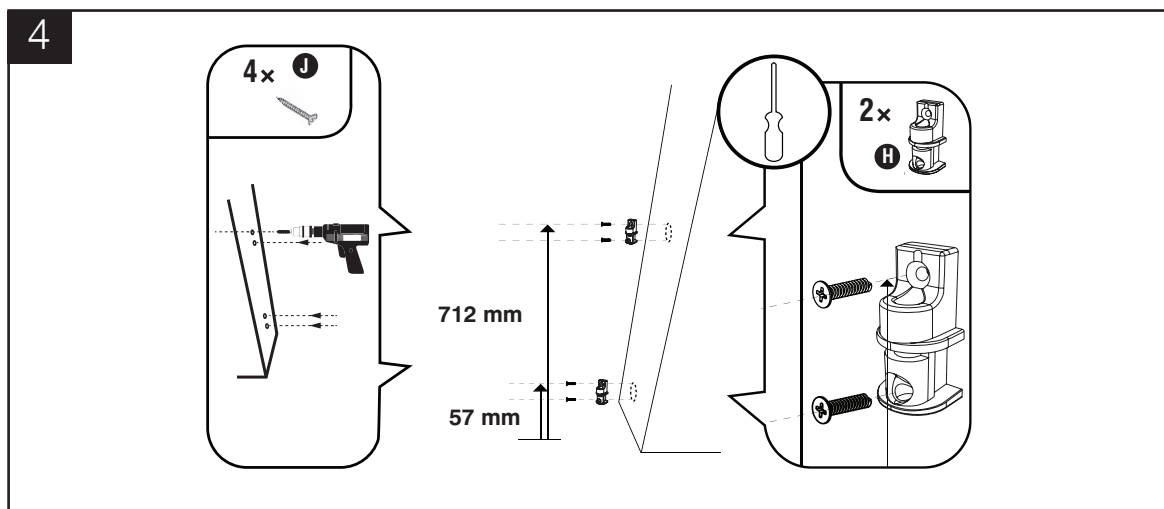


### Step 4

Mark the position for the hinges **(H)** on the opposite wall surface to the wall fittings **(C)** and **(D)**. The top hole for the lower hinge should be 57 mm from the floor. The top hole for the upper hinge should be 712 mm from the floor.

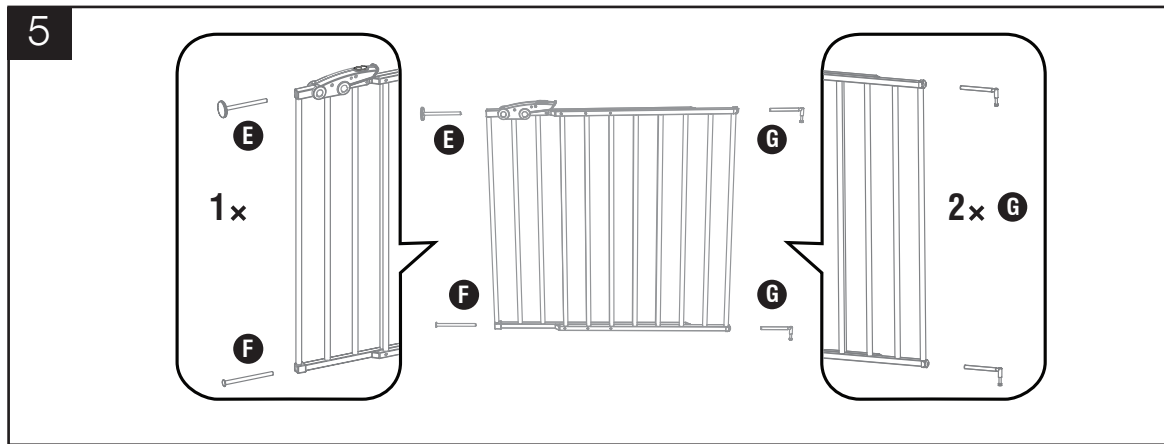
Fix the hinges **(H)** using the appropriate fixings depending on the surface available: wood screws for wooden surfaces, multi-use dowel and concrete screws for concrete surfaces, multi-use dowel and cement screws for cement surfaces, metal screws for metal surfaces.

Wood screws **(J)** are provided.



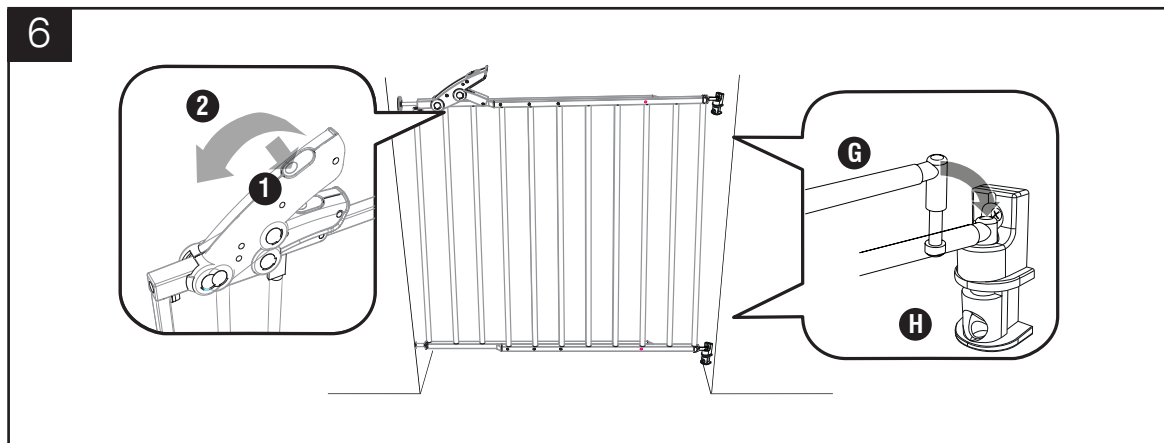
## Step 5

Insert the screw adjusters **(E)** into the top hole on the handle side of the gate. Insert the long screw **(F)** into the bottom hole on the handle side of the gate. Insert the 2 hinge bars **(G)** in the holes on the other side of the gate.



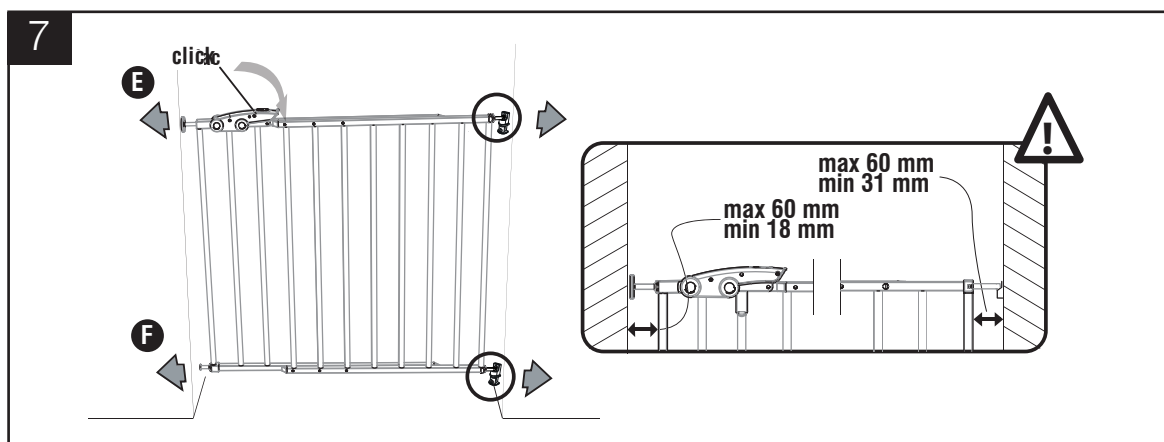
## Step 6

Ensure the gate is in the open position by pressing the button **(1)** and then lifting the latch **(2)**, this will retract the screw adjusters **(E) (F)**. Place the gate into the desired opening making sure to insert both hinge spindles **(G)** into the hinges **(H)**.



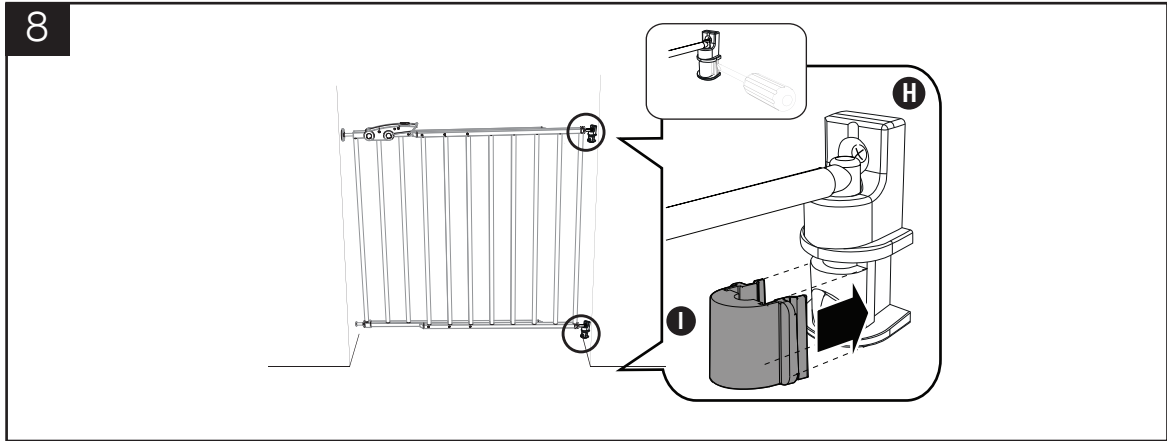
## Step 7

Place the gate in the desired opening and push the latch downwards gently. The screw adjuster **(E)** will extend and the latch should 'click' into place indicating that the gate is secure. If you feel a lot of resistance STOP and screw the screw adjusters **(E) (F)** further into the frame.



## Step 8

Continue to adjust the screw adjusters until the handle 'clicks' into place comfortably. Place the hinge covers (I) on the hinges (H). These can later be removed using a screwdriver.



## USE

Only use original Dreambaby® spare parts for this product.

Periodically check the security of the fixings and the general condition of the parts. Adjust as necessary, referring to these instructions.

Do not hang or tie toys to any part of the gate.

Always keep the gate in a closed and locked position.

This safety gate will not necessarily prevent all accidents. Never leave children unattended.

## CLEANING

No part of the gate requires lubrication.

Clean the gate using warm water and a mild detergent.

Never use solvents, chemicals, scouring powders or sharp tools to clean the gate.

## Dreambaby®

TEE-ZED ACKNOWLEDGES THAT ITS CUSTOMERS MAY BE ENTITLED TO STATUTORY CONSUMER GUARANTEES AND DOES NOT SEEK TO EXCLUDE OR LIMIT THEM. THESE GUARANTEES INCLUDE THAT TEE-ZED'S PRODUCTS ARE OF ACCEPTABLE

QUALITY. THIS TEE-ZED PRODUCT IS FOR THE SPECIFIC PURPOSE DETAILED IN THE INSTRUCTIONS AND PACKAGING AND TEE-ZED CONSIDERS USE OUTSIDE OF THAT PURPOSE TO BE ABNORMAL USE. TO THE MAXIMUM EXTENT PERMITTED BY LAW, TEE-ZED

DOES NOT ACCEPT ANY LIABILITY FOR DAMAGE:

- ARISING FROM ABNORMAL USE OF THE PRODUCTS;
- CAUSED BY INSTALLATION OR REMOVAL OF THE PRODUCTS

OTHER THAN IN ACCORDANCE WITH THE SUPPLIED INSTALLATION AND REMOVAL INSTRUCTIONS; OR

- ARISING UNDER THE LAW OF TORT OR CONTRACT.

Dreambaby® products by

Tee-Zed Products Ltd  
PO Box 29227, Dunfermline  
KY12 2DN, UK  
UK Tel: +44 (0) 1383 749588



Made in Vietnam

©2013 Tee-Zed Products, Ltd

info@tee-zed.co.uk

[www.dreambaby.co.uk](http://www.dreambaby.co.uk)  
[www.facebook.com/Dreambabysafety](http://www.facebook.com/Dreambabysafety)

[www.youtube.com/dreambabytv](http://www.youtube.com/dreambabytv)  
[www.twitter.com/dreambabysafety](http://www.twitter.com/dreambabysafety)



Broadcast Yourself™